



Lync 2.5-inch to USB-C Adapter

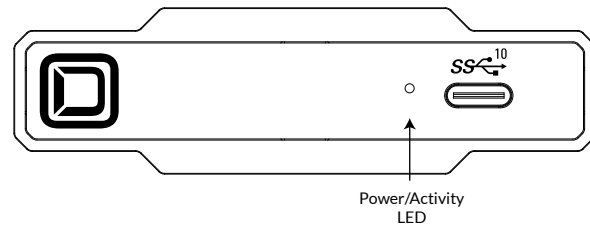
For more information, visit our website at [www.oyendigital.com](http://www.oyendigital.com)

## (1) Specifications

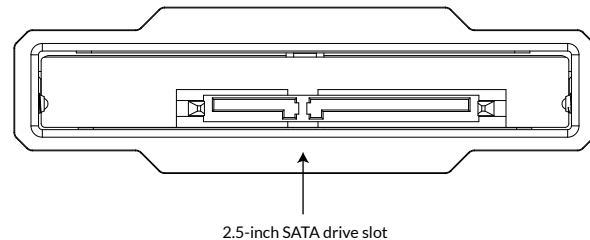
Item name:	Lync
Supports:	2.5-inch SATA HDD/SSD (up to 9.5mm)
Interfaces:	USB-C (10 Gbps)
Materials:	Aluminum
Chipset:	ASMedia 235CM
Power:	USB bus power
Size:	3.3 x 3.2 x 1.1 inches
Weight:	8 oz (without drive)
Operating Temp:	5°C ~ 55°C
System:	Windows, Mac OS, Linux, USB-C Cameras
Contents:	Lync, Mini Ball Head Mount Cables: USB C-C (1M), USB C-A (.5M)

## (2) Detailed View

Front View



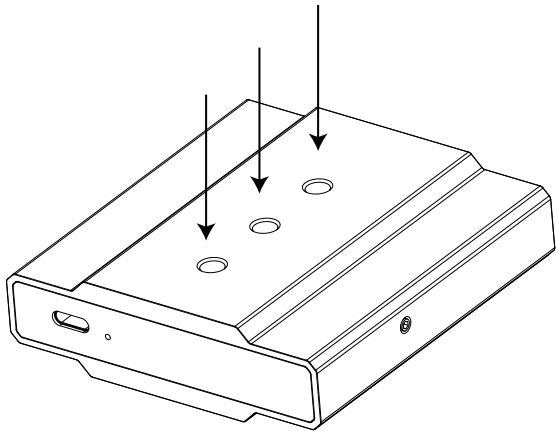
Rear View



### (3) Product Applications

The Lync can be mounted using the included mini ball head mount attached to any of the six 1/4-20 mount holes for flexible positioning.

Mounting holes for ball head mount (3 top, 3 bottom)

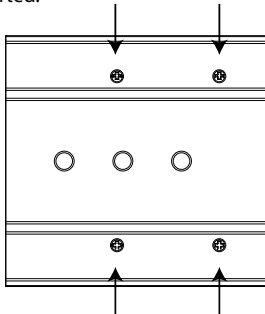


### (4) Using the Lync

- 1) Insert a 2.5" SATA drive into the slot.
- 2) Connect using USB to a host computer or USB-C camera.
- 3) The LED indicator will blink and illuminate when the drive is detected. The LED will blink during read/write activity.
- 4) Format or use the drive as per the host system's requirements.

### (5) Using a 9.5mm HDD

To use 9.5mm HDDs, remove the 4 screws from the top of the Lync. This will remove the spacers inside the unit and allow the drive to be inserted.



### (6) FAQ

**Q: Can I connect the Lync to a Thunderbolt 3 port?**

A: Yes, the Legent CF2 is compatible with Thunderbolt 3 and all USB.

**Q: Is the Lync compatible with Thunderbolt 2 using a Thunderbolt 3 adapter?**

A: No, the Lync is not compatible with Thunderbolt 2 to 3 adapter.

**Q: Is it also compatible with U.2 drives?**

No, the Lync is compatible with SATA drives.

For other questions, please contact [info@oyendigital.com](mailto:info@oyendigital.com) or visit our website, [oyendigital.com/support](http://oyendigital.com/support)

### (7) Warranty Information

This product includes a three (3) year warranty provided by Oyen Digital. This warranty is non-transferable and is limited to the original purchaser. Warranty service may be requested by visiting our website: [OyenDigital.com/Support](http://OyenDigital.com/Support)